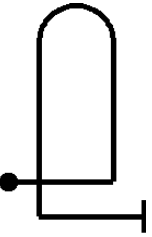
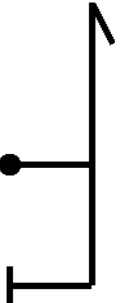
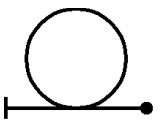




Pilot ID #

Flight #

No	Symbol	Catalog No	K	Tot K	Score	Remarks
1		8.1.1	13	13		
				SF 7		
2		5.1.1	17	17		
				SF 5		
3		7.5.1	10	10		
				SF 7		
4		2.2.1	4	4		
				SF 2		
5		1.1.1 9.1.3.4	2 8	10		
				SF 7		

Item	K	Score
Positioning		
PENALTIES	Interruptions	
	Insertions	
	Too high	
	Too low	
	Outs	
	Other	
	Disqual Fig #	
T/O time		
End time		

Fig K  
**54**

Total K

Judges Details

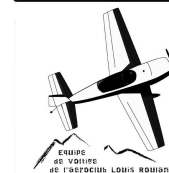
Signature

---

Name

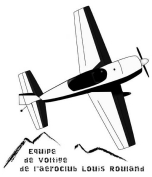
---

Number

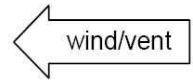


\_\_\_\_\_ Pilot

\_\_\_\_\_ A/C

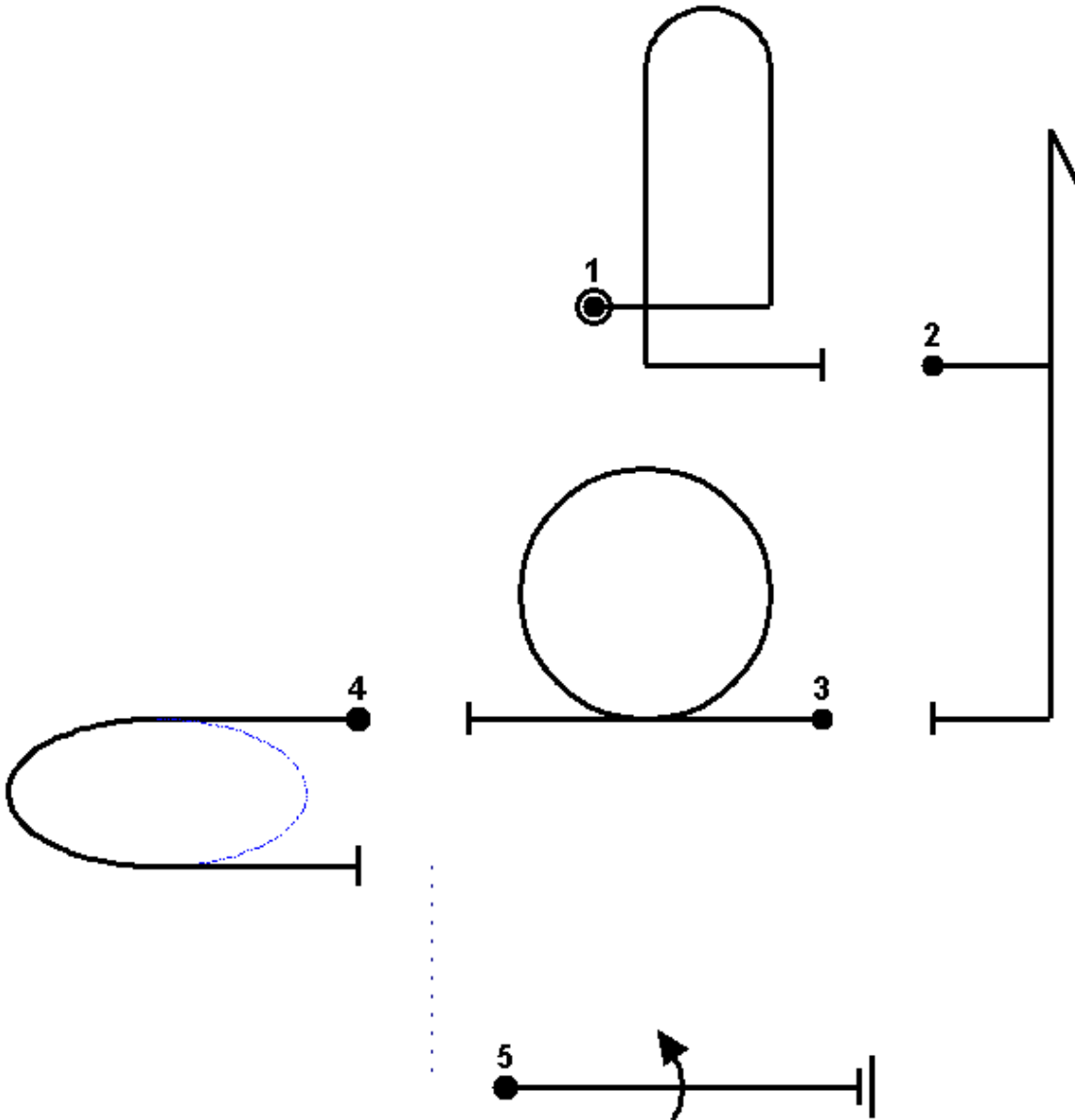


<b>FORM B</b>	
Pilot ID #	Flight #

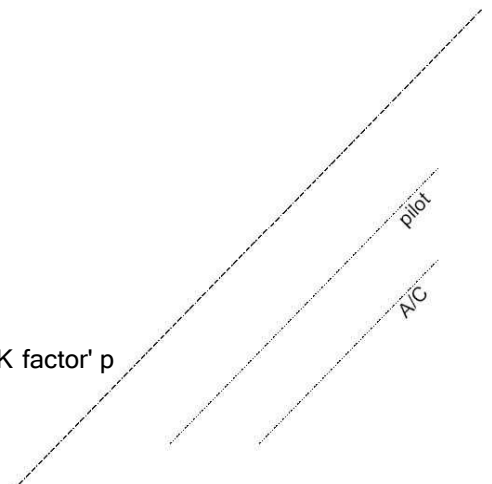


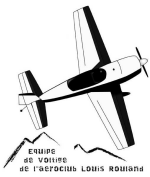
No	Catalog No	K	Tot K
1	8.1.1	13	sf 7
2	5.1.1	17	sf 5
3	7.5.1	10	sf 7
4	2.2.1	4	sf 2
5	1.1.1	2	10
	9.1.3.4	8	sf 7

---Total K= 54 ---

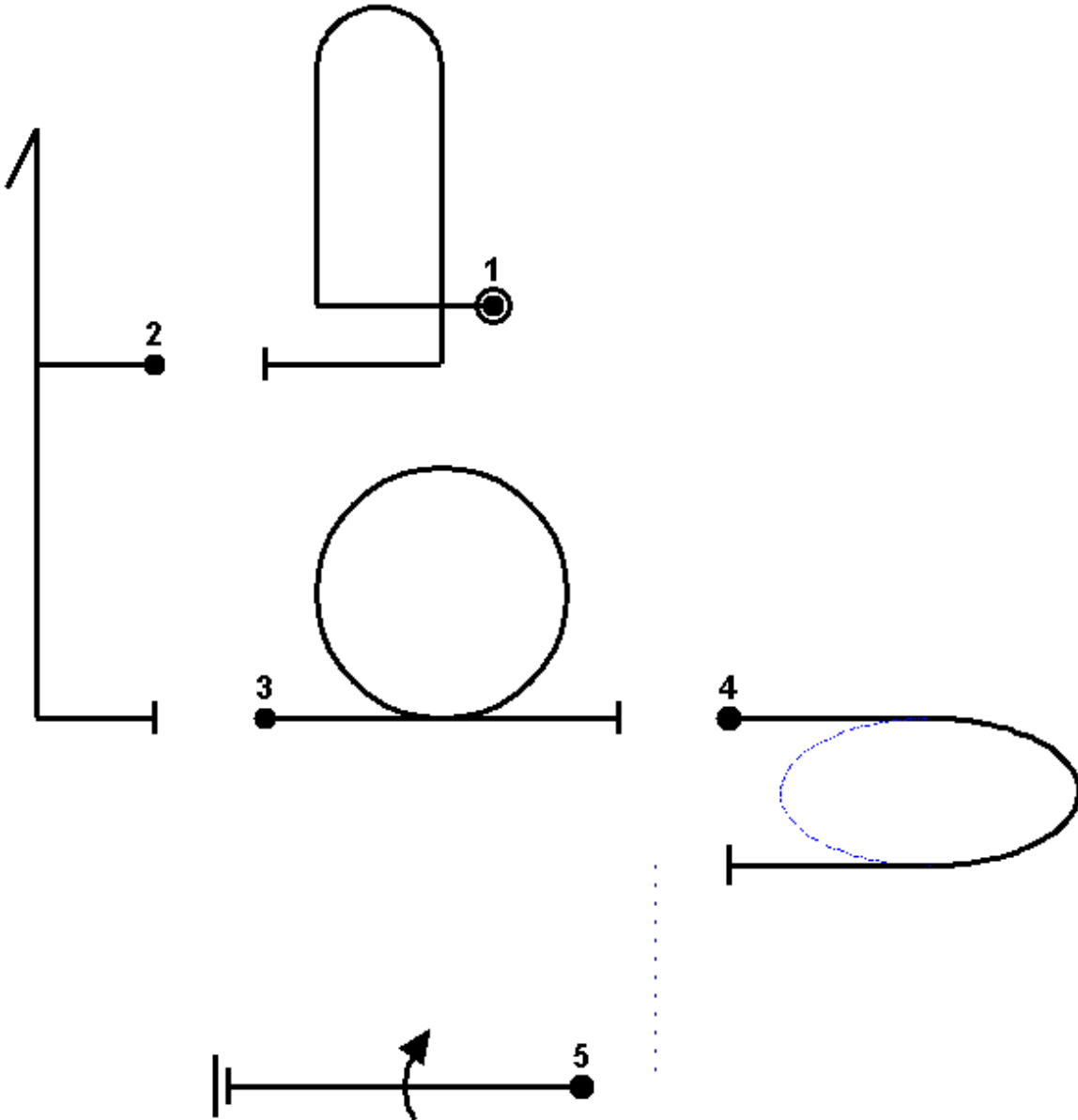


**Total K = 54 (4k@4, 17k@2)**



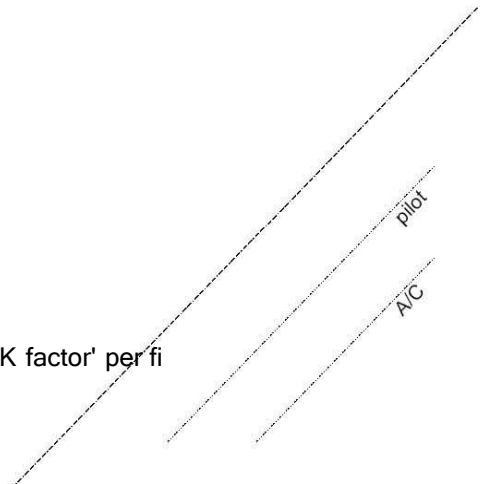


		<b>FORM C</b>
Pilot ID #		Flight #

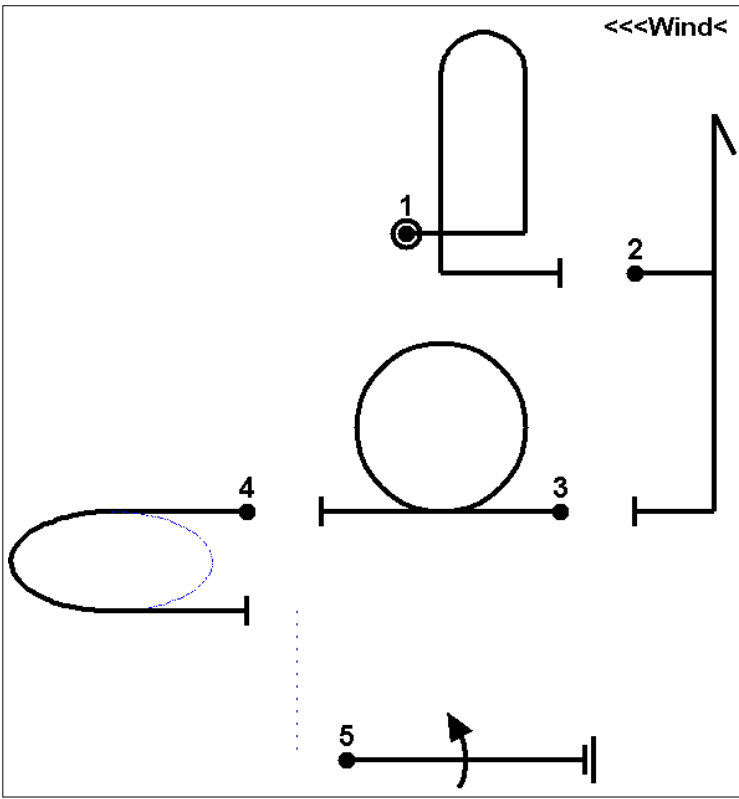


**Total K = 54 (4k@4, 17k@2)**

Olan v5.10 © M. Golan <http://www.aerobatics.org.il/olan>



Sequence [civa advanced unknown] Has 6 Verification Error(s): Fig 1: 13 'K factor' per fi



+

Sequence [civa advanced  
unknown] Has 6 Verification  
Error(s): Fig 1: 13 'K factor' per  
fig is not allowed Fig 3: 10 'K  
factor' per fig is not allowed Fig  
4: 4 'K factor' per fig is not  
allowed Fig 5: 10 'K factor' per  
fig is not allowed Sequence:5 of  
"base figure" are not allowed  
54 K